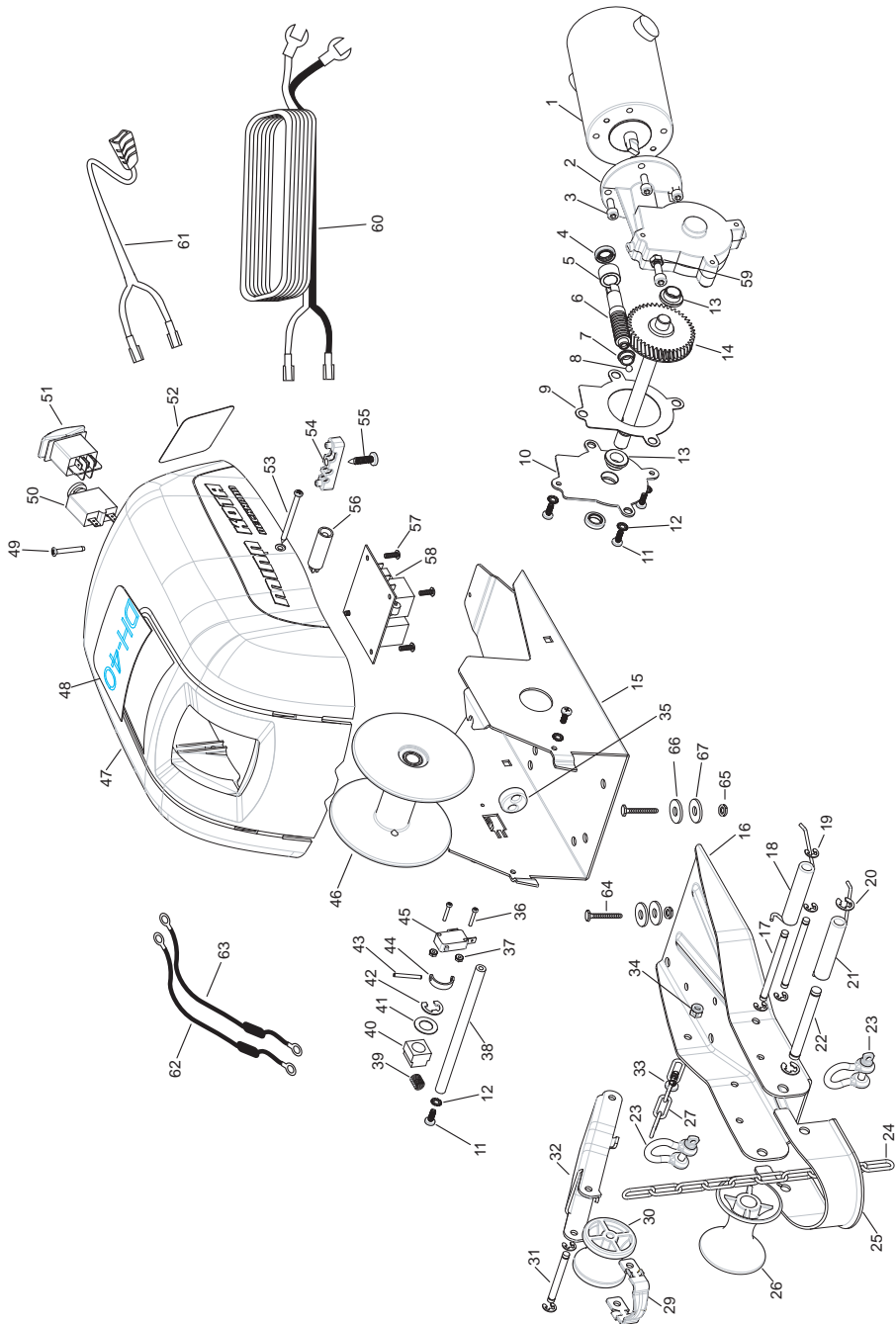


Minn Kota DECKHAND 40



Minn Kota DECKHAND 40

Item	Part	Description
■	299-7816	MOTOR/GEAR ASSEMBLY (Includes items 1-10,13,14)
*1	237-7802	MOTOR
*2	237-6502	GEAR BOX
3	237-3448	SCREW M6X1.0 X16mm [5 EA.]
4	880-026	SEAL [2 EA.]
5	237-0041	BRONZE BUSHING
*6	237-2238	WORM GEAR
7	237-7300	BRONZE BUSHING 3/8" SHAFT
*8	237-6000	BALL-THRUST
9	237-6915	GASKET
10	237-6515	GEAR BOX COVER
11	222-3455	SCREW #10-32 X 1/2" [6 EA.]
12	226-1718	WASHER-#10 EXT. LW [6 EA.]
13	222-7304	BRONZE BUSHING 1/2" SHAFT [2 EA.]
*14	237-2254	GEAR SHAFT
15	237-1901	BASE
■	299-8410	DAVIT ASSEMBLY (Includes items 16-22, 25-34)
*16	237-6505	DAVIT CHASSIS
17	237-2607	HINGE PIN [2 EA.]
18	237-2712	TORSION SPRING
19	201-3000	E-RING [6 EA.]
20	226-3010	E-RING [2 EA.]
21	237-2713	TORSION SPRING
22	237-2606	AXLE PIN
23	237-0806	SHACKLE [2 EA.]
24	237-0820	CHAIN
25	237-1613	LOWER LINE GUIDE
26	237-2311	ROLLER-LARGE
27	237-0801	SAFETY LANYARD
29	237-1614	UPPER LINE GUIDE
30	237-2306	ROLLER-SMALL
31	237-2601	AXLE PIN
32	237-4210	LIFTING ARM
33	237-3402	SCREW-1/4-20X5/8"
34	226-3103	NUT- 1/4" NYLOC
35	237-3200	ROPE STOP
36	237-2130	SCREW-#4-40 X 3/4" [2 EA.]
37	237-3100	NUT-#4-40 KEPS [2 EA.]
38	237-1612	LINE GUIDE
39	237-2700	COIL SPRING
40	237-0001	SPOOL BEARING
41	990-051	WASHER
42	788-040	E-RING
43	209-2601	DRIVE PIN
44	237-2630	PIN KEEPER
45	237-4010	SWITCH
46	237-7901	SPOOL W/ROPE
47	237-0202	COVER
48	237-5505	DECAL-TOP COVER
49	237-2123	SCREW-#8-32 X 1.25"
50	237-8203	CIRCUIT BREAKER
51	237-4001	SWITCH
52	237-5504	DECAL- MFR. NOTICE
53	237-2122	SCREW-#10-16 X 2 1/2" [2 EA.]
54	222-2905	STRAIN RELIEF
55	237-3446	SCREW- 1/4-20 X 1" [2.EA]
56	237-2920	STANDOFF [2 EA.]
57	237-2100	SCREW- #8-10 X 5/8"[4 EA.]
58	237-8225	CIRCUIT BOARD ASSEMBLY
		59 237-3105 HEX NUT M6X1.0
		60 209-0601 LEADWIRE
		61 237-0703 CONTROL CORD
		62 237-0704 JUMPER WIRE #20GA BLUE
		63 237-0706 JUMPER WIRE #10GA RED
		■ 299-4853 BAG ASSEMBLY
		64 215-3501 5/16" -18 BOLT [8 EA.]
		65 215-3100 NUT- 5/16-18" [8 EA.]
		66 230-1720 WASHER RUBBER [8 EA.]
		67 215-1726 WASHER 5/16" [8 EA.]

* This item is part of an assembly. This item cannot be sold separately due to machining and /or assembly that is required.